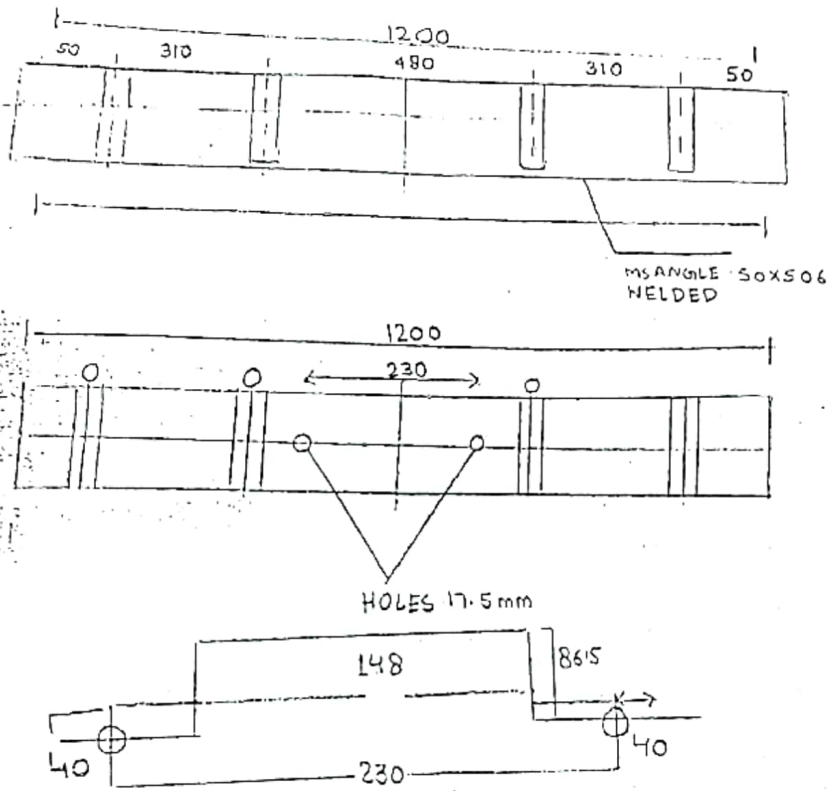


TN-1762

4 FEET LT CROSS ARM WITH CLAMP
(1200MM)



BILL OF MATERIAL

LT. CROSS ARM (1200MM) WITH CLAMP

FOR 9M/200 kg PCC pole

S. NO.	SECTION	LENGTH In MM	WT/MTR KGS	WT/PCS KGS	PCS/STR	TOTAL WT IN Kg
1	MS Angle 50X50X6	1400	4.50	6300	1	6300
2	MS Flat 50X6	453	2.36	1.083	1	1.083
TOTAL WT in Kgs						7383

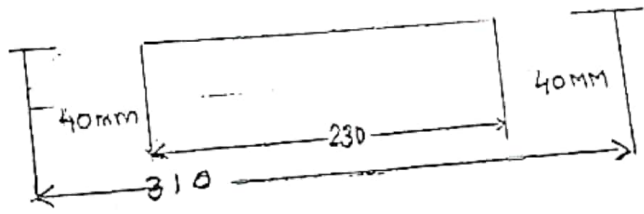
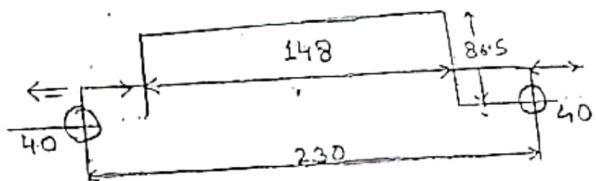
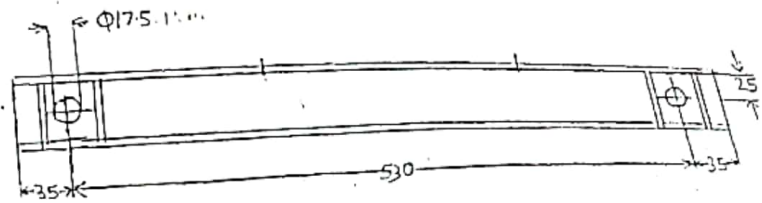
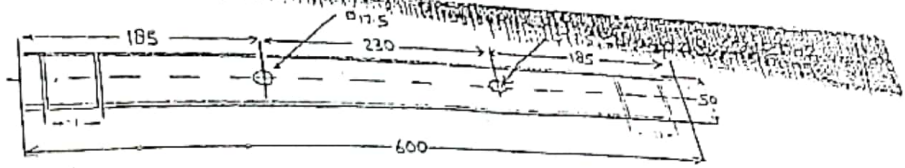
JODHPUR VIDYUT VITRAN NIGAM LTD (M M & C) Wing
GENERALLY-APPROVED
 Subject to the Observation vide our
 Letter No. Dated.....
 [Signature] [Signature] [Signature]
 [Stamp]

Scanned with CamScanner

Scanned with CamScanner

Scanned with CamScanner

2 FEET LT CROSS ARM WITH CLAMP



ALL DIMENSIONS IN MM

Name of Item	SECTION	LENGTH IN MM	HT. d	WT. Pc.	Pc.	WT. in	ITEM
CROSS ARM	MS ANGLE 50x50x6	700	4-5	3-15		3-15	2 FEET LT CROSS ARM WITH CLAMP
CLAMP	50x6	459	24	1-083		1-083	SCALE: NTS
Gross wt						4.233 kg	DATE:

JODHPUR VIDYUT VITRAN NIGAM LTD. (M&C) Wing
GENERALLY-APPROVED
 Subject to the Observation vide our
 Letter No. Dated

[Signature]
 XEN (M&C)

[Signature]
 SE (M&C)

Scanned with CamScanner

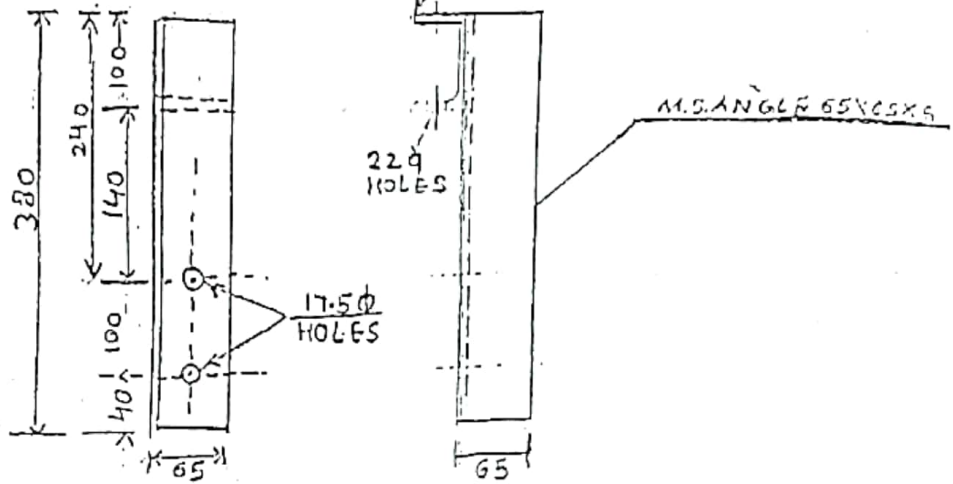
Scanned with CamScanner

Scanned with CamScanner

**11 KV TOP HAMPER
FOR 9M LONG PCC POLE**

M.S. CHANNEL 100X50X6

**65 LONG WELDED
WITH ANGLE**



ELEVATION

SIDE

MATERIAL

S.NO	PARTICULARS	WT
1.	M.S. ANGLE 65X65X5	2.204kg (APPX)
2.	CHANNEL 100X50X6	0.621kg (APPX)

Total wt. 2.825 kg

ALL DIMENSIONS IN mm
DRG. NO. SE/TLPC/STEEL/11

JODHPUR VIDYUT VITRAN NIGAM LTD. (M & C) Wing		
GENERALLY-APPROVED		
Subject to the Observation vide our		
Letter No.	Dated	
<i>D/S/M</i>	<i>M</i>	<input checked="" type="checkbox"/>
AEN (M & C)	XEN (M & C)	SE (M & C)

Scanned with CamScanner

Scanned with CamScanner

Scanned with CamScanner