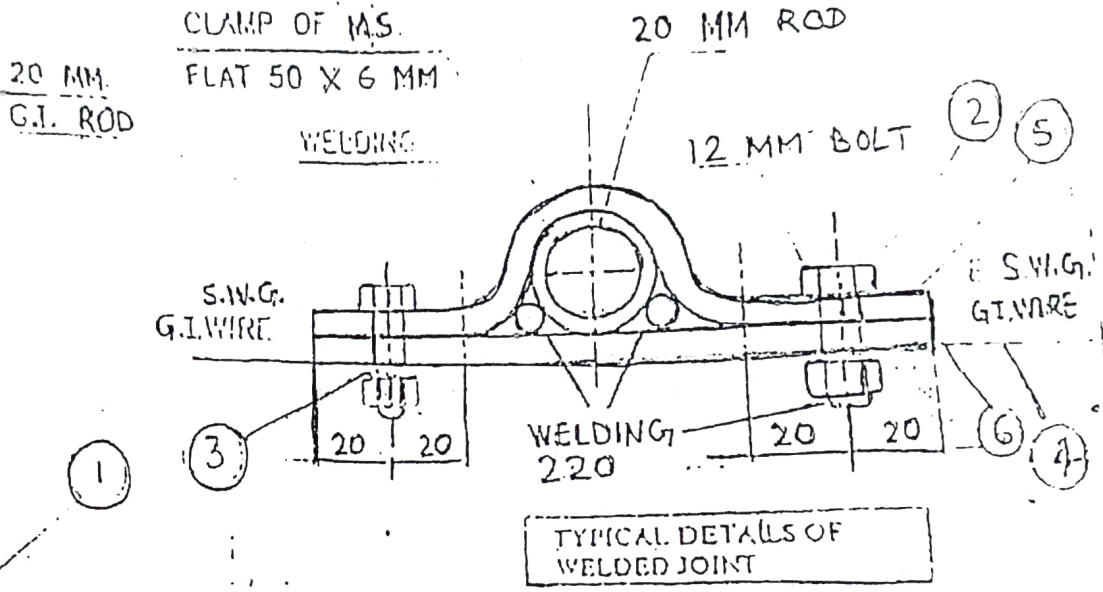


U.S.W.G.
G.I.WIRE

GROUND LEVEL

WELDED JOINT AS PER
TYPICAL DETAILS AT
ANNEXURE - B-2.

ANNEXURE - B-2



TYPICAL DETAILS OF
WELDED JOINT

THE BILL OF MATERIALS FOR GALVANIZED M.S. ROD TYPE EARTHINGS
SET FOR LT. 11 KV & 33 KV LINES

S/N	DESCRIPTION	UNIT	QTY
1	M5 ROD 20MM OUTSIDE DIA HAVING LENGTH 1.3 MTR	NOS.	1
2	M12 BOLT & NUT	NOS.	2 EACH
3	SPRING WASHER FOR M12 BOLT	NOS.	2
4	G.I WIRE SIZE 1 SWG 1 METER LENGTH	NOS.	1
5	50X6 MM M.S. FLAT FOR CLAMP WELDED WITH ROD	NOS.	1
6	50X6 MM M.S. FLAT FOR CLAMP LOOSE / COVERS	NOS.	1

JODHPUR VIDYUT VITRAN NIGAM LTD. (M.M.&C) Wing
GENERALLY-APPROVED
 Subject to the Observation vide our
 Letter No. Dated

[Signatures]
 AET (M&C) XEN (M&C) SE (M&C)