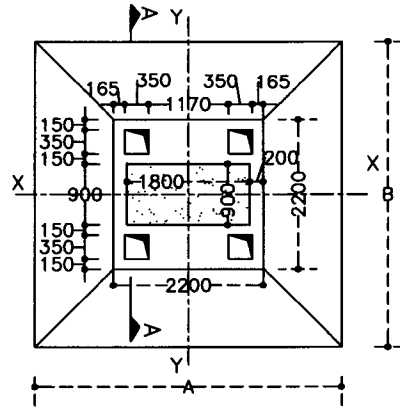


PLAN BT-1, BT-3 & BT-6

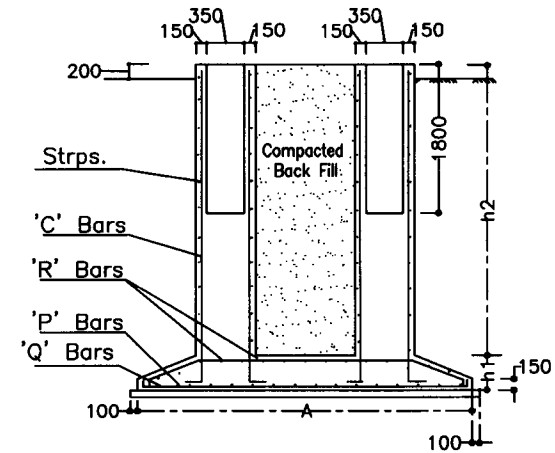


PLAN BT-4

NOTES:-

1. ALL DIMENSIONS ARE IN MM
2. NO DIMENSION SHALL BE MEASURED FROM THIS DRAWING ONLY WRITTEN DIMENSION SHALL BE FOLLOWED.
3. USE CONCTETE GR M-20 FOR RCC WORK EXCEPT BASE CONCRETE WHICH SHALL BE M-10
4. CLEAR COVER TO REINFORCEMENT SHALL BE 50 MM.
5. NUMBER OF REINFORCING BARS SHALL NOT BE COUNTED FROM THE DRAWING.
6. IF BEARING CAPACITY EXCEEDS 21 T/Sqm USE DETAILS AS PER SR. NO 5.

Sno	Soil Properties		Type of Structure	Dimensions				Reinforcement						
	SBC	ϕ		Density	A	B	h1	h2	'P' bars	'Q' bars	'R' bars	'C' bars	Strps	'U' bars
1	7.5 T/m ²	28*	1600kg/m ³	BT-1 & BT-3	5250	4000	300	2000	#12@150c/c	#12@150c/c	#8@250c/c	#12/22nos in each pedestal	#10@210c/c	#10/3 nos in each wall
				BT-4	5500	5500	350	2000	#12@150c/c	#12@150c/c	#8@250c/c	#16/18nos in each pedestal	#10@210c/c	#10/3 nos in each wall
				BT-6	4250	3500	300	2000	#10@150c/c	#10@150c/c	#8@250c/c	#12/16nos in each pedestal	#10@210c/c	#10/3 nos in each wall
2	10 T/m ²	30*	1600kg/m ³	BT-1 & BT-3	4500	3750	400	2200	#12@150c/c	#12@150c/c	#8@250c/c	#12/22nos in each pedestal	#10@210c/c	#10/3 nos in each wall
				BT-4	4650	4650	400	2200	#12@150c/c	#12@150c/c	#8@250c/c	#16/18nos in each pedestal	#10@210c/c	#10/3 nos in each wall
				BT-6	3850	3300	350	2200	#10@150c/c	#10@150c/c	#8@250c/c	#12/16nos in each pedestal	#10@210c/c	#10/3 nos in each wall
3	12.5 T/m ²	30*	1600kg/m ³	BT-1 & BT-3	4500	3250	400	2200	#12@115c/c	#12@115c/c	#10@400c/c	#12/22nos in each pedestal	#10@210c/c	#10/3 nos in each wall
				BT-4	4550	4550	400	2200	#16@200c/c	#16@200c/c	#10@400c/c	#16/18nos in each pedestal	#10@210c/c	#10/3 nos in each wall
				BT-6	3750	3250	350	2200	#10@140c/c	#10@140c/c	#10@400c/c	#12/16nos in each pedestal	#10@210c/c	#10/3 nos in each wall
4	18 T/m ²	32*	1760kg/m ³	BT-1 & BT-3	4400	3000	400	2200	#12@140c/c	#12@140c/c	#10@450c/c	#12/22nos in each pedestal	#10@210c/c	#10/3 nos in each wall
				BT-4	4200	4200	400	2200	#16@200c/c	#16@200c/c	#10@350c/c	#16/18nos in each pedestal	#10@210c/c	#10/3 nos in each wall
				BT-6	3650	3000	350	2200	#10@175c/c	#10@175c/c	#10@450c/c	#12/16nos in each pedestal	#10@210c/c	#10/3 nos in each wall
5	21 T/m ²	32*	2350kg/m ³	BT-1 & BT-3	4150	2550	400	2200	#10@210c/c	#10@350c/c	#10@450c/c	#12/22nos in each pedestal	#10@210c/c	#10/3 nos in each wall
				BT-4	3600	3600	400	2200	#10@230c/c	#10@250c/c	#8@250c/c	#16/18nos in each pedestal	#10@210c/c	#10/3 nos in each wall
				BT-6	3500	2500	400	2100	#10@250c/c	#10@350c/c	#10@350c/c	#12/16nos in each pedestal	#10@210c/c	#10/3 nos in each wall



SECTION - 'AA'

Chief Engineer (Civil)
R.R.V.P.N.L., JAIPUR