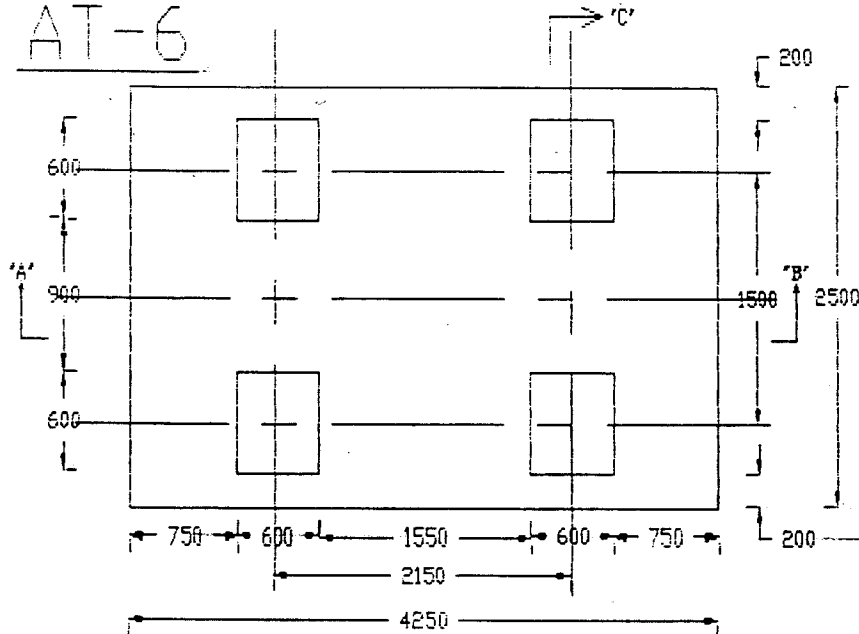
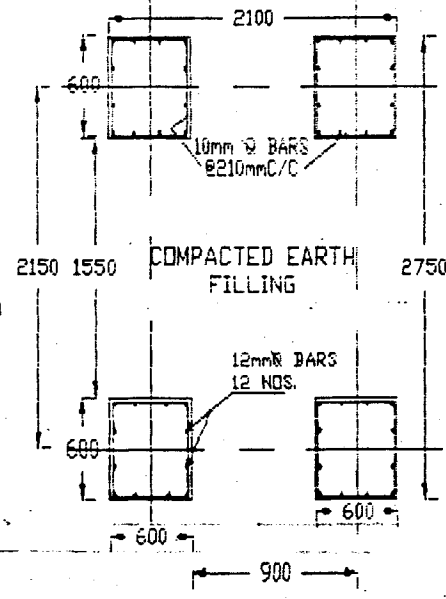


AT-6

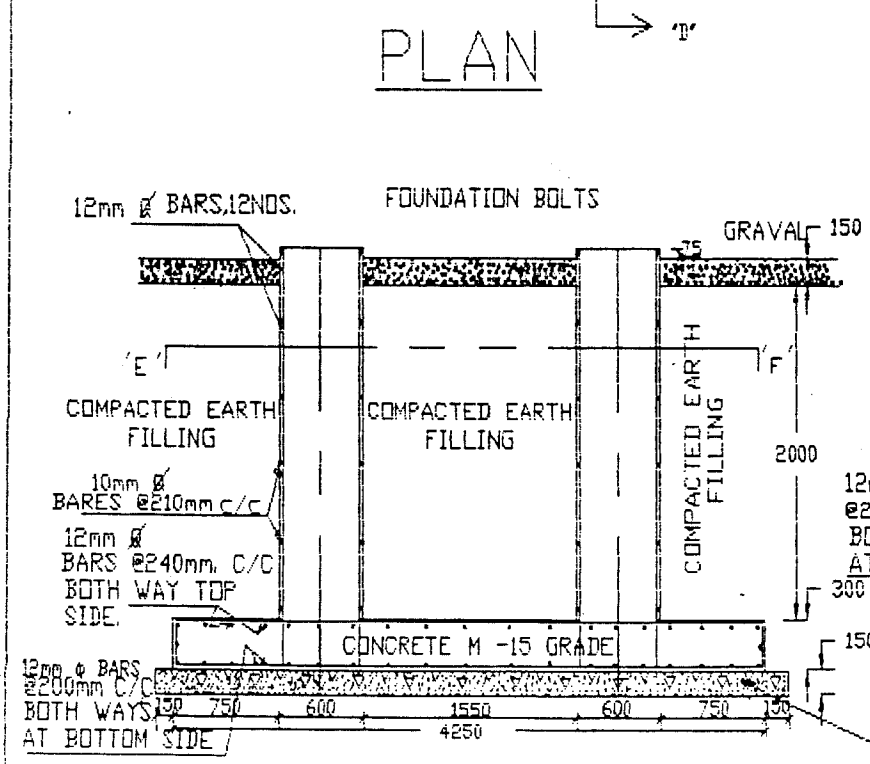
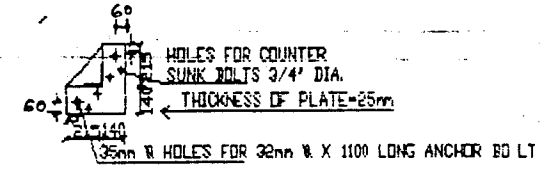


PLAN

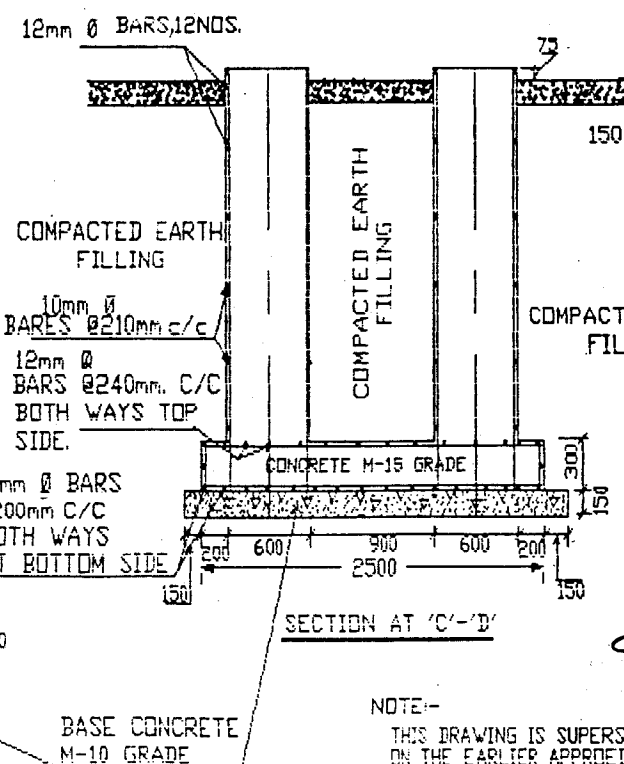


SECTION AT E-F

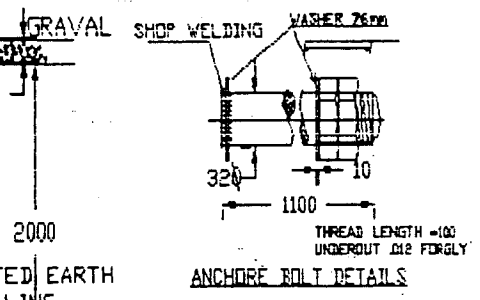
- NOTES:-
- 1 ALL DIMENSIONS ARE IN MILLIMETRES.
  - 2 NO DIMENSION SHOULD BE MEASURED FROM DRAWING ONLY WRITTEN DIMENSIONS ARE TO BE CONSIDERED.
  - 3 USE CONCRETE OF M-10 STRENGTH AS PER IS-456
  - 4 BASE CONCRETE SHALL BE OF M-10 STRENGTH AS PER IS-456.
  - 5 TOR STEEL BARS CONFORMING TO IS 1796 SHALL BE USED FOR REINFORCEMENT.
  - 6 CLEAR COVER TO REINFORCEMENT BARS SHALL BE 50 mm.
  - 7 OVER LAPS FOR REINFORCEMENT BARS SHALL BE MINIMUM 30 x DIA.
  - 8 CONSTRUCTION JOINTS IN THE FOUNDATION SHALL BE PROPERLY TREATED.
  - 9 THE FOUNDATION BOLTS SHALL BE EMBEDDED IN THEIR FINAL POSITION AT THE TIME OF CASTING OF FOUNDATION SINCE PROVISION FOR POCKETS ARE NOT PROVIDED.
  - 10 THE PERMISSIBLE BEARING PRESSURE ON SOIL AT 2.00 M. DEPTH HAS BEEN TAKEN AS 15000 Kg/cm<sup>2</sup>
  - 11 AFTER CASTING OF FOUNDATION, THE EARTH SHOULD BE FILLED IN LAYERS NOT EXCEEDING 150 mm. AND PROPERLY COMPACTED TO ACHIEVE DENSITY OF 16.
  - 12 THE DESIGN IS BASED ON THE BASIC LOADING DATAS SUPPLIED VIDE DRAWING NO. EHV/55
  - 13 ANCHOR BOLT DRAWING AS PER MAN STRUCTURALS LTD. JAIPUR DRG NO. 289/RSE-9
  - 14 BASE PLATE DRAWING IS BASED ON DRG. NO. SE/TC-1/78
  - 15 DESIGN CRITERIA - METHOD OF DIRECT AND BENDING STRESSES IN COMPRESSION AND BENDING



SECTION AT A-B



SECTION AT C-D



THIS DRAWING IS CREATED ON RSED'S COMPUTER AIDED DESIGN & DRAFTING SYSTEM (FNAIAT6D)

RAJASTHAN STATE ELECTRICITY BOARD  
400 KV DESIGN CIRCLE, JAIPUR

FOUNDATION FOR "AT-6" STRUCTURE  
FOR 220KV GRID SUB-STATION

ALARORA D/MANU	ACK/DESIGN	ABDUL HAFEEZ DESIGNER	SHANTI PRASAD S.E./DESIGN
SCALE NTS		ALL DIMENSIONS ARE IN MILLI-METRES	

NOTE:-  
THIS DRAWING IS SUPERSEDED ON THE EARLIER APPROVED DRAWING NO. EHV/73(R1).