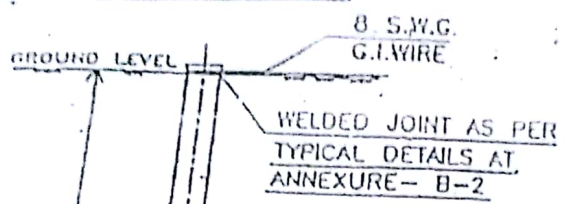
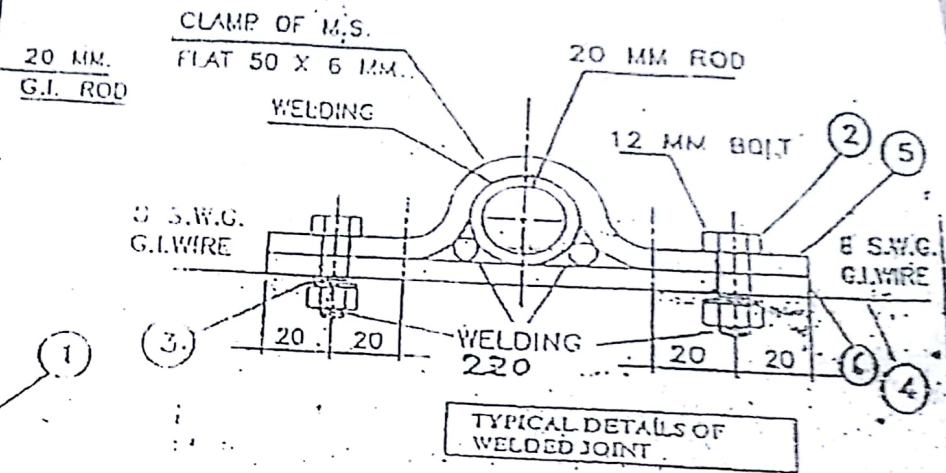


ANNEXURE - B-1

AVVNL - TN-1294



ANNEXURE - B-2



TYPICAL DETAILS OF WELDED JOINT

THE BILL OF MATERIALS FOR GALVANIZED M.S. ROD TYPE EARTHING SET FOR LT, 11 KV & 33 KV LINES

S.N	DESCRIPTION	UNIT	QTY.
1	M.S. ROD 20 MM OUTSIDE DIA. HAVING LENGTH 3 MTR	NoS.	1
2	M-12 BOLT & NUT	NoS.	2
3	SPRING WASHER FOR M-12 BOLTS	NoS.	2
4	G.I. WIRE SIZE 8 SWG OF 15 METER LENGTH	NoS.	4
5	50x6 MM M.S. FLAT FOR CLAMP WELDED WITH ROD	NoS.	1
6	50x6 MM M.S. FLAT FOR CLAMP LOOSE / COVERS	NoS.	1

(B) EARTHING FOR SANDY / OTHER SOILS WHERE ROD COULD BE DRIVEN / PROVIDED IN.