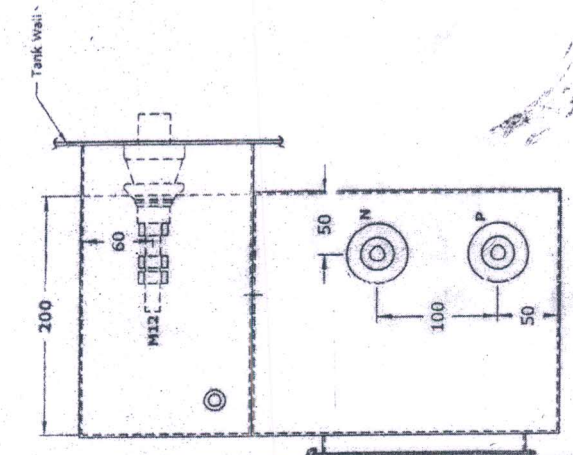
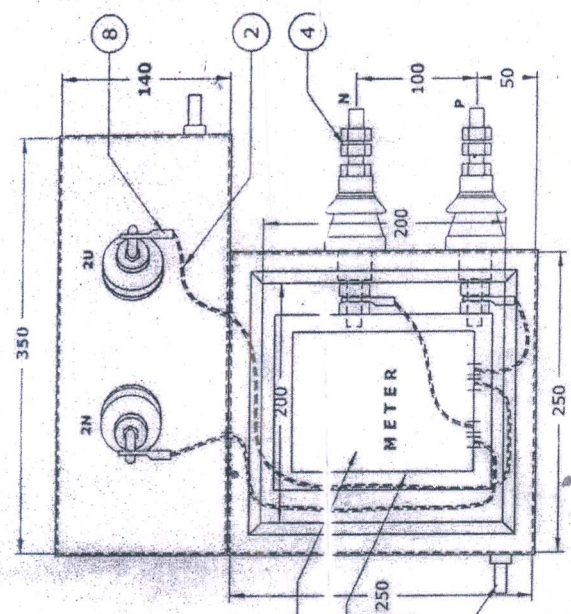


Approved B

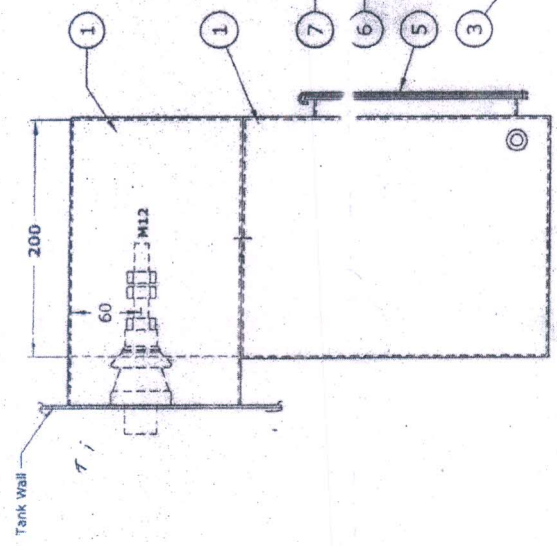
1.1 KV LV CABLE BOX FOR SINGAL PAHSE T/F



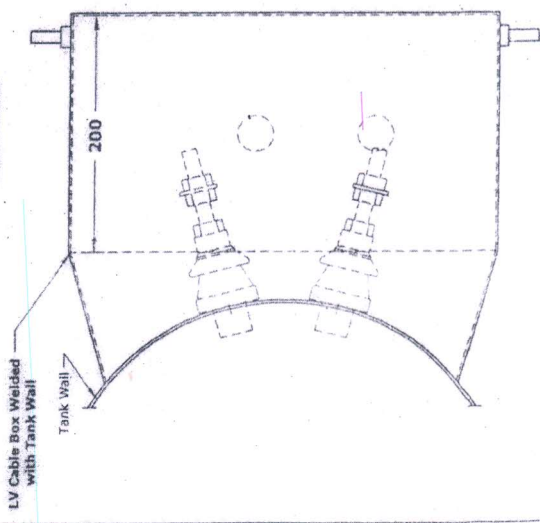
SIDE VIEW



FRONT VIEW



SIDE VIEW



TOP VIEW

LV Cable Box Welded with Tank Wall

Electrical Clearance inside Box min
P - E 20 mm

Description	5 KVA	Cat No / Thk	Qty.
Lugs for LT Terminal		7028 / 1 mm	4
Outgoing LT Terminals		1.1 KV / 250 A	2
Terminal Ends for Meter		ACP-7 / 4.3x1.1 mm	4

Description	5 KVA
Copper Flexible Cable LT Terminal to Meter & Outgoing Bushings	Size 10 ² mm

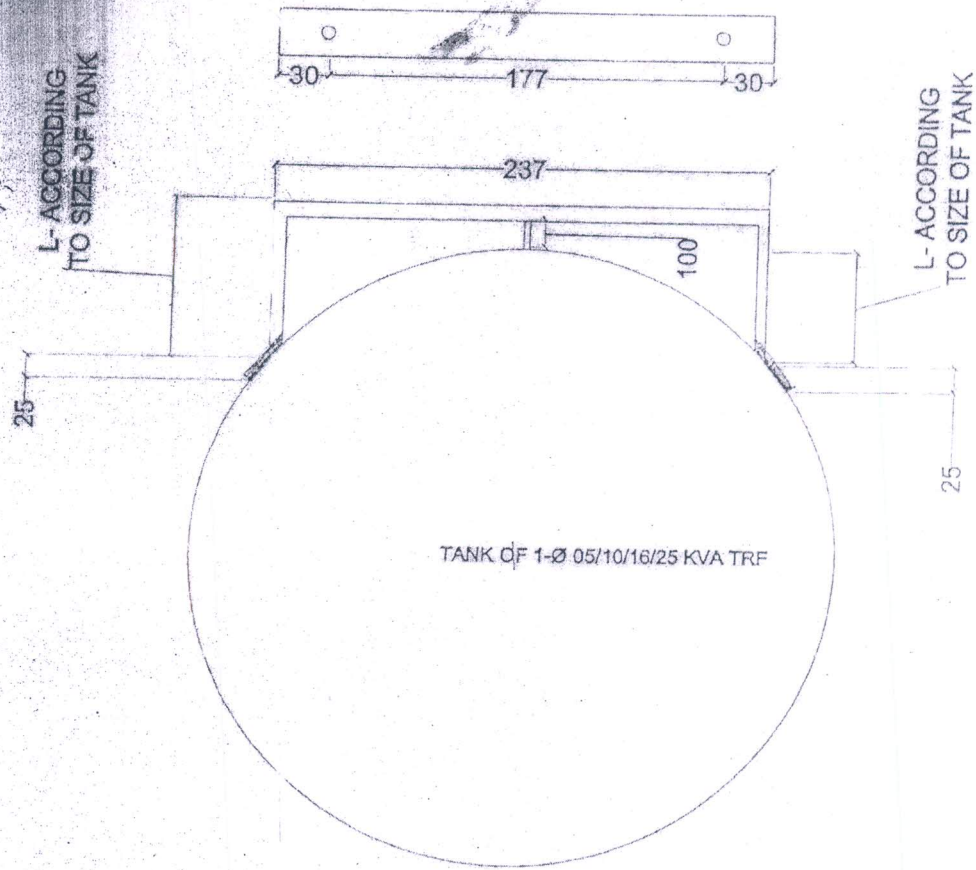
#	DESCRIPTION	Qty
1	LV Cable Box with Meter Distribution Box	-
2	PVC Covered cable	-
3	Body Earthing Terminal (M10 Bolt)	2
4	Outgoing Bushings	2
5	Sliding Cover with glass	1
6	Glass (size 115x150x6mm) for Meter	1
7	Meter	1
8	Lugs	-

NOTE: ALL DIMENSIONS ARE IN MM. & TOLERANCE ±5%

R1	Date	19.06.2017
R2		

1 2 3 4 5 6

TN-1354
JBY YNL



- NOTE -:
- 1. All Dimension in MM.
 - 2. Not to Scale the Drg.
 - 3. Hole Size 17.5mm
 - 4. M.S. Flat 50x8 mm

TANK SIZE (DIA.) OF EACH MANUFACTURER OF TRF. IS DIFFERENT

ANNEXURE - B(1)

TN-1354 SDVYNL

