



**RAJASTHAN RAJYA VIDYUT PRASARAN NIGAM LIMITED**  
(AN ISO 9001:2008 CERTIFIED COMPANY)  
**OFFICE OF THE SUPERINTENDING ENGINEER (T&C) RVPN, KOTA**  
0744-2370084 Fax No. 0744-2370084 Email ID-  
[se.tnc.kota@rvpn.co.in](mailto:se.tnc.kota@rvpn.co.in)

No. RVPN/SE/T&C/Kota/Sec IV/2016-17/D. 3599 Dated: 27/01/2017

Speed Post

To  
The Public Relation Officer  
RVPN, Vidyut Bhawan,  
Jaipur.


Sub:-Publication of NIB No. 16 /2016-17 in News Papers.

The Notice Inviting BIDs of this office is sent herewith in four copies for wide publications as per provision of RTPP Act 2012 in newspapers as per rotation as detailed below. The publishers may be advised for insertion of the matter in one issue and single space in their newspaper as per annexure B.

- (1) One State level Newspaper.
- (2) One Regional level Newspaper being published from the KOTA district.

The copies of relevant newspapers may be sent to this office immediately after publication which is essential for the purpose of purchase case for record and reference. Details of NIB are also enclosed herewith

Encl:- As above

  
Superintending Engineer (T&C)  
RVPN, Kota

Copy submitted/forwarded to the following for kind information and necessary action please.

- (1) The Chief Engineer (T&C) RVPN, Jaipur.
- (2) The Superintending Engineer (MIS) RVPN, Jaipur for floating on website  
<http://energy.rajasthan.gov.in/rvpn/> (As per Annexure-A)
- (3) The Superintending Engineer (T&C) RVPN, Jaipur city/Jaipur Rural/ Alwar /Sawaimadhopur /Bharatpur /Hinduan.
- (4) The Accounts Officer (T&C) RVPN, Kota.

Encl:- As Above

  
Superintending Engineer (T&C)  
RVPN, Kota.

o/c



Annexure-A  
FOR WEB PUBLICATION

**RAJASTHAN RAJYA VIDYUT PRASARAN NIGAM LIMITED**

(AN ISO 9001:2008 CERTIFIED COMPANY)

**OFFICE OF THE SUPERINTENDING ENGINEER (T&C) RVPN, KOTA**

Phone No -0744-2370084 Fax No. 0744-2370084 Email [se.tnc.kota@rvpn.co.in](mailto:se.tnc.kota@rvpn.co.in)

E-bids are invited from firms/contractors for following project as detailed below:

S. No.	Description of item	Specification No.	Cost of Specification (Rs.)	Estimated cost (in Rs. Lacs)	Amount of Earnest Money (in Rs.)	Start Date/ Time of down loading specification	End Date/ Time of down loading Specification on & submission/ uploading online tenders	Date/ Time of opening of Online Tenders
1.	Construction work of 132 KV GSS Sarola Kalan (Jhalawar).	16/2016-17	Rs. 1000.00	Rs. 12.00	Rs.24000.00	06.02.2017/(10.00 Hrs)	21.02.2017/(18.00 Hrs)	22.02.2017/(14.00 Hrs)

The tender document/ specification can be downloaded from the website <http://eproc.rajasthan.gov.in> up to the stipulated date & time as above. The tender shall be submitted/ uploaded online in electronic format on the website <http://eproc.rajasthan.gov.in> up to the stipulated date & time as above. The interested bidder will have to be enrolled/ registered on this website for participating in the bidding process.

The cost of tender document/ specification (non-refundable) shall be deposited as above by DD/Banker's Cheque in favour of Accounts Officer (T&C) RVPN, Kota. The prescribed Tender Processing Fee (non-refundable) of Rs. 1000/- (One Thousand Only) shall be deposited by DD/Banker's Cheque in favour of Managing Director, RISL, Jaipur with undersigned.

The bidder will have option to furnish EMD amount/bid security in the form of DD/Banker's Cheque or in the form of bank guarantee.

The above tender cost, EMD, Tender Processing Fee shall be deposited prior to opening of on-line tenders i.e. up to 21.02.2017/ (06:00PM).

The bidders are requested to submit their bids prior to last date of submission/ uploading to avoid non-submission of the bids up to the prescribed date, due to non-availability/ hanging of website or any other reason at last moment. The date of submission of bids shall not be extended in any case.

  
Superintending Engineer (T&C)  
RVPN, Kota

राजस्थान राज्य विद्युत प्रसारण निगम लिमिटेड

कार्यालय अधीक्षण अभियंता (प्र. एवम नि. वृत्त), कोटा

[Corporate Identity Number (CIN): U40109RJ2000SGC016485]

टेलीफोन न. : 0744-2370084 फैक्स न. : 0744-2370084 ईमेल : [se.tnc.kota@rvpn.co.in](mailto:se.tnc.kota@rvpn.co.in)

वेबसाइट : [www.rvpn.co.in](http://www.rvpn.co.in)

**ई-निविदा सूचना**

निम्नलिखित कार्यों के लिए फर्मा/ ठेकेदारों से ऑनलाइन ई-निविदायें आमंत्रित की जाती हैं :

निविदा सं16/2016-17: Construction work of 132 KV GSS Sarola Kalan (Jhalawar),|

धरोहर राशी रु -24000/- (डी. डी./ बैंकर चेक या बी. जी.) निविदा खुलने की तिथि : 22.02.2017/(2 pm)

निविदा की पूर्ण जानकारी/ निविदा तथा तारीख बढ़ाने की सूचना के दस्तावेज़/ विवरण आदि देखने/ डाउनलोड करने के लिए <http://eproc.rajasthan.gov.in> वेबसाइट पर उपलब्ध हैं |

निविदा के अन्य विवरण, निविदा प्रपत्र मूल्य, ई-टेन्डर प्रोसेसिंग शुल्क तथा निविदा भरने व खुलने का विवरण इत्यादिकी जानकारी वेबसाइट [www.rvpn.co.in](http://www.rvpn.co.in) तथा <http://sppp.rajasthan.gov.in> पर भी उपलब्ध हैं |


इच्छुक निविदा कर्ता निविदा प्रक्रिया में भाग लेने हेतु वेबसाइट <http://eproc.rajasthan.gov.in> पर एनरोल/ रजिस्टर्ड कर निविदा ऑनलाइन इलेक्ट्रॉनिक फॉर्मेट में जमा/ अपलोड कर सकते हैं |

उत्तरोत्तर में तारीख बढ़ाने की सूचना/ संशोधन यदि कोई हैं, तो वह उपरोक्त संदर्भित वेबसाइटों पर ही सूचित/ प्रकाशित की जावेगी |

अधीक्षण अभियंता(प्र. एवम नि. वृत्त)

रा.रा.वि.प्र., कोटा

कृपया बॉक्स में वर्णित विवरण कम से कम जगह में प्रकाशित करे |

  
अधीक्षण अभियंता (प्र. एवम नि. वृत्त)

रा.रा.वि.प्र., कोटा

**RAJASTHAN RAJYA VIDHYUT PRASARAN NIGAM LIMITED**  
**OFFICE OF THE SUPERINTENDING ENGINEER (T&C), KOTA**

[Corporate Identity Number (CIN) : U40109RJ2000SGC016485]  
Tel. No. 0744-2370084 Fax No. 0744-2370084 Email ID-[se.tnc.kota@rvpn.co.in](mailto:se.tnc.kota@rvpn.co.in)  
Website :[www.rvpn.co.in](http://www.rvpn.co.in)

**NOTICE INVITING e-BID**

Online e-bid is invited from firms/contractors for following project:


**BID ENQUIRY No.16/2016-17:** Construction work of 132 KV GSS Sarola Kalan (Jhalawar), The detailed NIT/ Tender Document/ Specification and Date Extension are available for viewing/ downloading on the website <http://eproc.rajasthan.gov.in>. Other details of NIT, Tender Specification Cost, e-Tender Processing Fee and submission and opening of tenders etc. are also available on the website [www.rvpn.co.in](http://www.rvpn.co.in) and <http://sppp.rajasthan.gov.in>.

The interested bidders should be enrolled/ registered and submit/upload the online tender in electronic format on the website <http://eproc.rajasthan.gov.in> for participating in the bidding process.

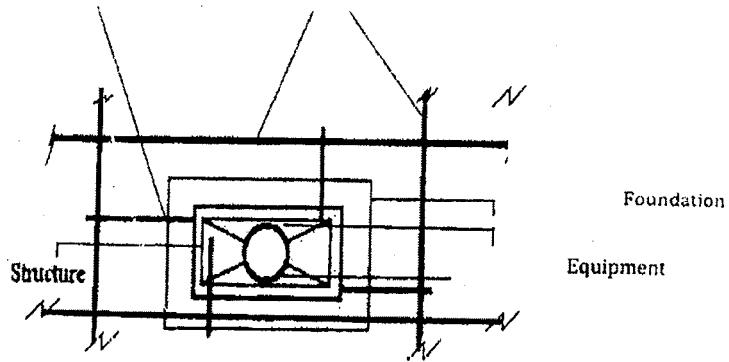
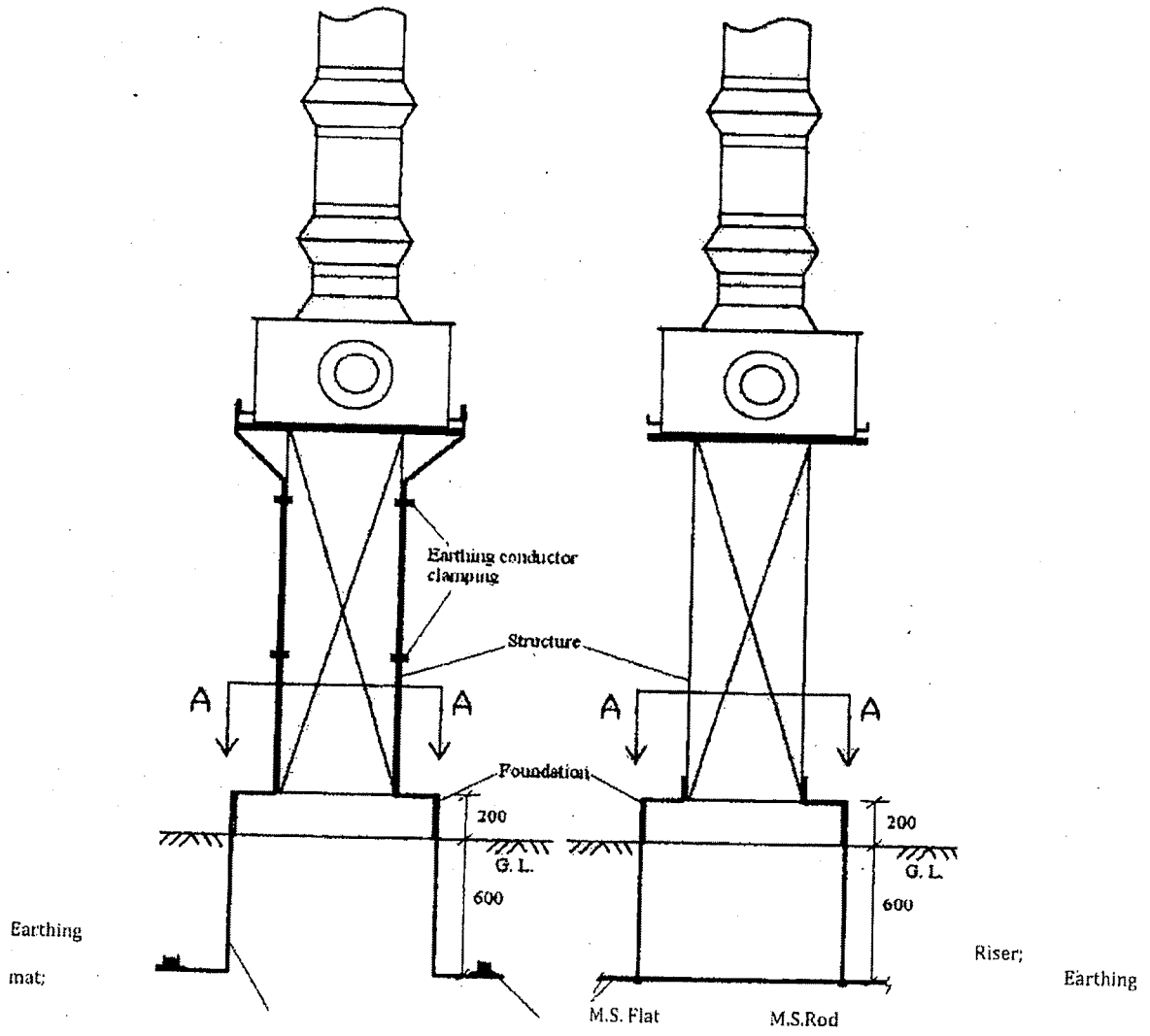
Further date extensions/amendments, if any, in the above bid shall only be notified/ published on above referred websites.

**SUPERINTENDING ENGINEER (T&C) KOTA**

Only publish the items boxed, please publish in minimum space.

  
**SUPERINTENDING ENGINEER (T&C)**  
**RVPN, KOTA**

Annexure-B



TYPICAL EXAMPLE OF EARTHING OF SUB-STATION EQUIPMENT

*[Handwritten signatures and scribbles]*

**THE WEIGHTS OF VARIOUS TYPE OF STRUCTURES ARE DETAILED BELOW FOR REFERENCE :-**

Sr. No.	Type of Structure	Unit Wt. of Structure along with Bolts & Nuts Step Bolts & Nuts & Sp. Washers (MT)	Wt. of Structure in (MT)	Wt. of GI Bolts & Nuts (KG)	Wt. of Step Bolts & Nuts (KG)	Wt. of Spring Washers (KG)
1	AT1	2.578	2.47800	77.705	16.88	5.274
2	AT3	1.671	1.608	54.139	13.802	3.861
3	AT4	3.453	3.305	123.758	16.036	8.064
4	AT6	8.44	0.989	0.9458	32.460	2.41
5	AT8	1.63	1.57	44.881	11.816	3.123
6	AB	1.544	1.468	71.029	Nil	4.971
7	BT1	1.803	1.71200	73.7310	12.238	5.067
8	BT3	1.33442	1.26623	54.1830	10.128	3.879
9	BT4	2.608	2.484	106.545	11.394	6.849
10	BT6	0.708	0.669	29.76	7.17	2.178
11	BT7	1.196	1.132	51.418	8.44	3.564
12	BB1	0.8098	0.76000	46.5000	NIL	3.51
13	PIS	0.1715	0.164	6.887		0.495
14	AO1	1.0972	1.0724	23.131		1.683
15	AO1(T)	0.237	0.229	6.963		0.513
16	AO3	0.2654	0.2551	9.568		0.72
17	AO4	0.230844	0.22132	8.885		0.72
18	AO5	0.196	0.18300	12.7000		0.9
19	BO1	0.5937	0.57460	17.7300		1.32
20	BO1(T)	0.1714	0.16420	6.6970		0.495
21	P	0.0895	0.08170	7.2960		0.504
22	Q with Sub	0.7133	0.68850	23.2260		1.602
23	Q W/O Stub	0.6164	0.5989	16.342		1.134
24	R	0.441	0.42850	11.6720		0.792
25	GD Beam	0.5403	0.51320	25.1700		1.9
26	X	0.05	0.04400	5.8590		0.423
27	Y with Stub	0.385	0.36500	18.8500		1.37
28	Y W/O Stub	0.332	0.3130	17.8400		1.30
29	Z	0.298	0.28900	8.8830		0.63
30	GF 5.4 mtr.	0.25	0.23000	18.7800		1.22
31	33 KV CT & PT Str.	0.196	0.19030	5.3300		0.4
32	X-15	0.248734	0.241314	6.9160		0.504

The weights mentioned above are indicative only . The actual weights shall be taken as per approved BOM of supplied structures for the purpose of payment.

*Or*

*[Signature]*

*[Signature]*

**Schedule-I**

**Classes of Contractor and Eligibility Conditions**

S. No.	Class and Eligibility	Staff	Tool and appliances	Solvency (in Rs)	Scope
1	2	3	4	5	6
1	<p><b>Class A:</b> - Individual or Legal Entity either Partnership or Proprietorship firm or Private or Public limited company having at least 3 years of experience as "B" or "C" class contractor. He shall have successfully executed minimum 10 numbers of HT Installations (Across India)</p> <p align="center"><b>OR</b></p> <p>Individual or the owner of the firm or all partner(s) of the firm who is/are Engineer(s) having 5 years of experience in electrical operation and maintenance field (Across India).</p> <p align="center"><b>OR</b></p> <p>Individual or a firm who (or which) is already having licence issued by the competent authority of any other State and having experience of at least three years in electrical works of</p>	<p>At least Two Supervisors (Both 'A' Class or one 'A' Class and one 'B' class) and at least four wiremen, holding permit to work or competency certificate to work, on regular payroll</p>	<p>(a) Necessary tools for wiring and repairs:</p> <p>(i) Crimping Tool</p> <p>(ii) Cable Jointing facilities</p> <p>(iii) Safety belt and portable heavy duty drill</p> <p>(iv) Earth Chain</p> <p>(v) Insulated tools</p> <p>(b) Instruments to carry out resistance, load test of electrical installations as well as of appliances listed below :</p> <p>Testing Equipment-</p> <p>1. Insulation Megger: 500V, 1000V, 5000V.</p> <p>2. Earth Tester with Testing kit - 0/10/100 ohm with Selector switch</p> <p>3. Tong Tester with</p> <p>(a) Ammeter 0/800A with different ranges and selector switch.</p> <p>(b) Voltmeter 0/300V/600V with different ranges and selector switch.</p> <p>4. Phase Sequence Tester</p>	<p>10,00,000 (Rupees Ten Lakh)</p>	<p>All voltage class.</p>